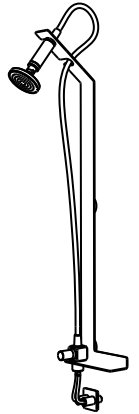
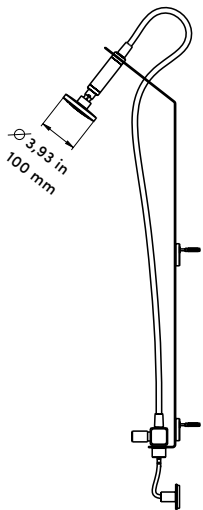


KIT 08

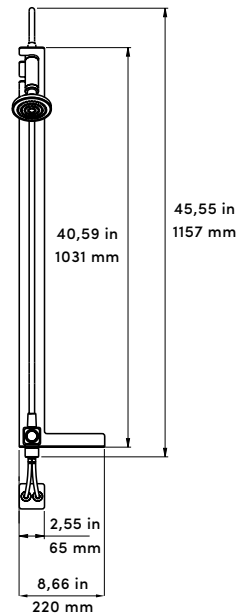


KIT DOCCIA		WALL MOUNTED SHOWER SYSTEM	
ARTICOLO	4122088101	ARTICLE	4122088101
MATERIALE E FINITURA	ACCIAIO INOX AISI316 SATINATO	MATERIAL AND FINISHING	SATIN STAINLESS STEEL AISI316

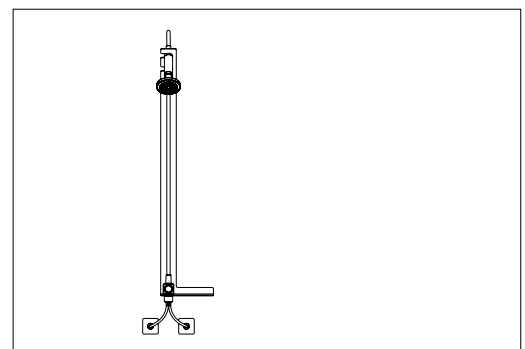
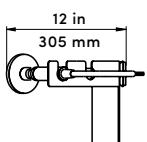
VISTA LATERALE / SIDE VIEW



VISTA FRONTALE / FRONT VIEW



TOP VIEW / VISTA SUPERIORE



Version for single hydraulic connections (hot and cold water) available.
Disponibile versione per raccordi singoli (acqua calda e fredda).